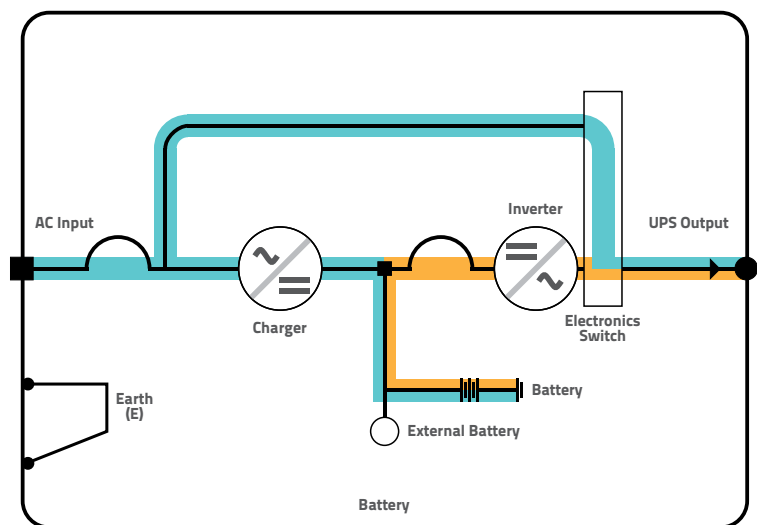


# Uninterruptible Power Supply



The UPS inverter works only when the AC input voltage is low or lost. When the AC input voltage is in normal conditions, the UPS will stabilize and filter the AC input voltage and supply a clean and stable AC voltage to the UPS output and charge the battery. When the AC input voltage is low or lost, the inverter will replace it and supply a stable AC voltage within a very short transfer time.

- EMI / RFI Filter
- Build in Stabilizer
- Audible and Visual Indicator
- Build in SLA Battery
- Expandable Back Up Time
- Compact Size
- Easy to Install



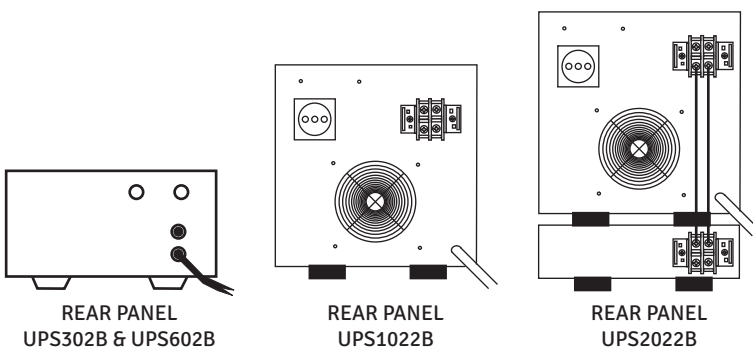
■ AC Input Voltage not Present

■ AC Input Voltage Present

Protect your computer and sensitive equipments from any electrical disturbance.

ITEM		UNITS	SPECIFICATION				REMARKS
MODEL			UPS302B	UPS602B	UPS1022B	UPS2022B	
CAPACITY		VA/W	600/300	1200/600	2000/1000	4000/2000	MAXIMUM
AC INPUT	VOLTAGE	V	160 ~ 250				
	CURRENT	A	1.7	3.4	5.6	10.2	MAX. LOAD & CHARGER
	FREQUENCY	Hz	50 ± 5%				
	PROTECTION	A	FUSE SLOW BLOW 6.3A		MCB 10A	MCB 16A	
DC INPUT	INTERNAL BATTERY		1 x 12V, 7AH	2 x 12V, 7AH	3 x 12V, 7AH	*)4 x 12V, (2 x 7AH)	SLA BATTERY *)BATTERY BANK
	EXTERNAL BATTERY		1 x 12V, Max 40AH	2 x 12V, Max 40AH	3 x 12V, Max 40AH	4 x 12V, Max 40AH	OPTIONAL
	PROTECTION		FUSE 40A		MCB 40A	MCB 63A	
INVERTER OUTPUT	WAVE FORM		SYNTHESIZED SINEWAVE				PWM
	VOLTAGE	V	220 ± 5%				
	FREQUENCY	Hz	50 ± 1%				
	EFFICIENCY	%	> 80				
CHG	TYPE		CONSTANT VOLTAGE				
	VOLTAGE	V	13.5	27.0	40.5	54.0	
	CURRENT	A	1.5		3		MAXIMUM
TRANSFER TIME		ms	≤ 4				
BACK UP TIME		min	10				WITHOUT EXT. BATT., NOMINAL LOAD
INDICATOR			LED & BUZZER				
OPERATION TEMPERATURE		°C	0 ~ 40				
DIMENSION		mm	401 x 260 x 170		402 x 260 x 285		D x W x H
WEIGHT	NETTO	Kg	11	16.5	29.5	25*)	*) WITHOUT INTERNAL BATTERY
	GROSS		12.5	18	31.5	27*)	

SPECIFICATIONS ARE SUBJECT TO CHANGE WITHOUT PRIOR NOTICE.



Contact Person



481-4110010-211