

# nirax®

## 19" RACK ENCLOSURES



### APPLICATION

- Electronic control systems
- Computer systems
- Telecommunication systems
- Laboratory instrumentation system
- Testing instrumentation system
- Monitoring systems
- Power supply systems
- ETC

## 19" Rack Enclosures

## MODELS SPECIFICATION :

### 1. FREE STANDING

MODEL	HO (mm)	HI (mm)	WO (mm)	DO (mm)	UNIT
NR 6020	1054	908	600	600	20 U
NR 6027	1365	1219	600	600	27 U
NR 6036	1765	1619	600	600	36 U
NR 8020	1054	908	600	800	20 U
NR 8027	1365	1219	600	800	27 U
NR 8036	1765	1619	600	800	36 U
NR 8042	2032	1886	600	800	42 U
NR 8045	2166	2020	600	800	45 U
NR 9036	1765	1619	600	900	36 U
NR 9042	2032	1886	600	900	42 U
NR 9045	2166	2020	600	900	45 U
NR 11042	2032	1886	600	1100	42 U
NR 11045	2166	2020	600	1100	45 U
NR 11042W	2032	1886	800	1100	42 U
NR 11045W	2166	2020	800	1100	45 U

### 2. OPEN UNIT

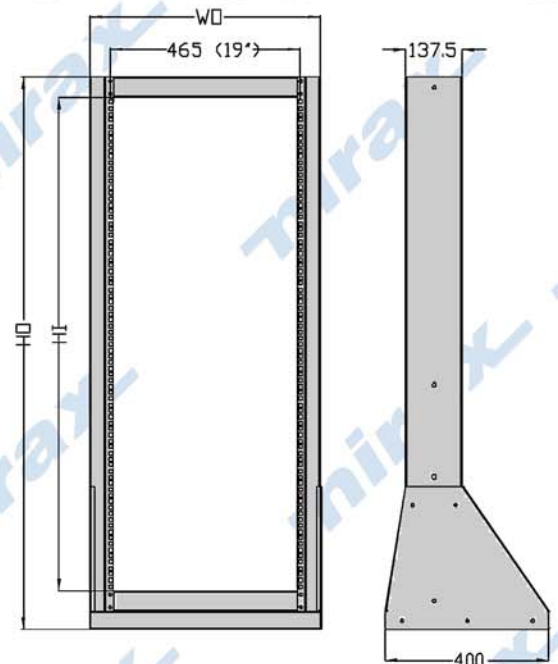
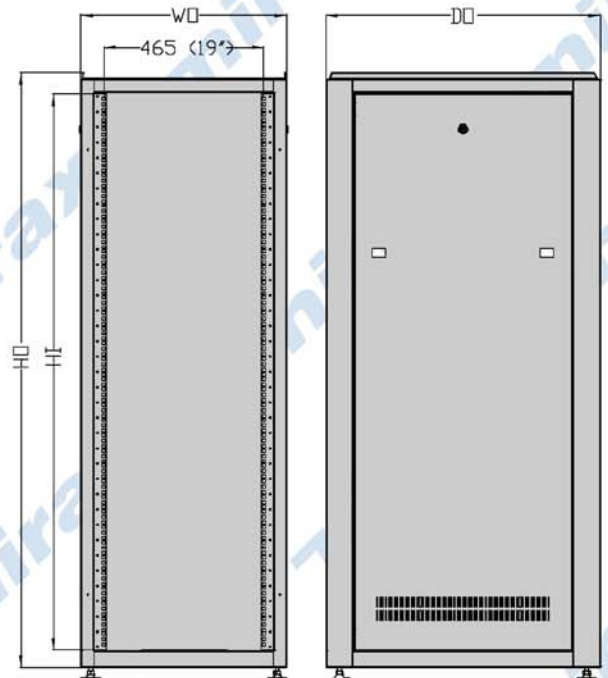
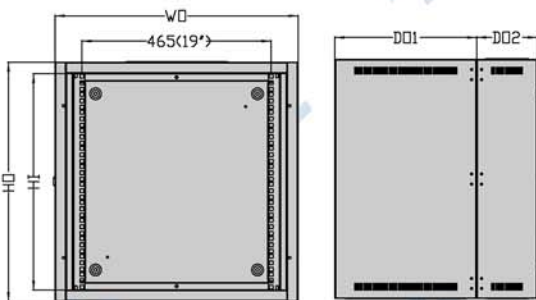
MODEL	HO (mm)	HI (mm)	WO (mm)	UNIT
OR 25	1266	1118	565	25 U
OR 40	1933	1785	565	40 U

### 3. WALLMOUNTING

MODEL	HO (mm)	HI (mm)	WO (mm)	DO1 (mm)	DO2 (mm)	UNIT
WM 5008	413	356	600	350	150	08 U
WM 5012	591	534	600	350	150	12 U
WM 5015	723	666	600	350	150	15 U
WM 6008	413	356	600	450	150	08 U
WM 6012	591	534	600	450	150	12 U
WM 6015	723	666	600	450	150	15 U

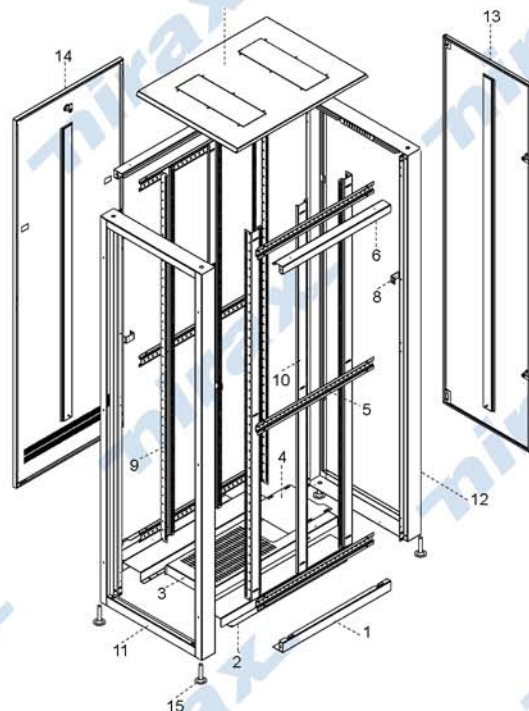
1U = 1,75 inches = 44,45 mm

Color = \*Black \*Cream



### ITEM FOR STANDARD MODEL :

01. Bottom Frame ( 2 pcs )
02. Bottom Plate ( 2 pcs )
03. Bottom Grille ( 1 pcs )
04. Cover Bottom Grille ( 1 pcs )
05. Horizontal Post ( 6 pcs )
06. Top Frame ( 2 pcs )
07. Roof Panel ( 1 pcs )
08. Slide Latch Bracket ( 4 pcs )
09. Vertical Mounting ( 4 pcs )
10. Middle Vertical Mounting ( 2 pcs )
11. Front Frame ( 1 pcs )
12. Back Frame ( 1 pcs )
13. Back Door ( 1 pcs )
14. Side Cover ( 2 pcs )
15. Adjustable Foot ( 4 pcs )



# ACCESSORIES (Option)



DA 20 / 27 / 36 / 42 / 45  
DOOR TEMPERED GLASS



SP 60 / 80 / 100  
SHELF PLATE



SA 60 / 80  
SUPPORT ANGLE



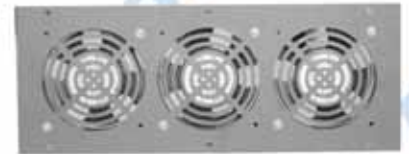
PS 01 / PSV 02 / PSV 03  
POWER SET



VP - 01 ~ 05  
VENTILATION PANEL



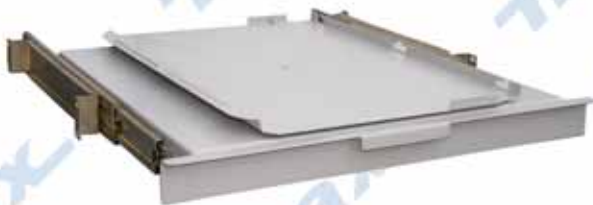
BP - 01 ~ 06  
BLANK PANEL



BF - 02 / 03  
BRACKET FAN



FV - 03  
FAN UNIT (VERTICAL)



DTFL 60 / 80  
DRAWER TABLE FLEXIBLE



DT 60 / 80 / 100  
DRAWER TABLE



SC - 01  
SCREW PLASTIC RING

CN - 01 CAGE NUT



CS - 01 / 02  
CENTILEVER SHELF



AF - 01 / 02  
ADJUSTABLE FOOT



WM - 01  
WIRE MANAGEMENT



CA - 01 CA - 02  
CASTOR



CT 42 / 45  
CABLE TRAY

# FACTORY MACHINE FACILITIES :



◀ *"TRUMPF" Rotation CNC Punching*



▶ *Hydraulic PRESS Machine*



◀ *"TRUMPF" Hydraulic CNC Bending*



▶ *Powder Coating Line*

