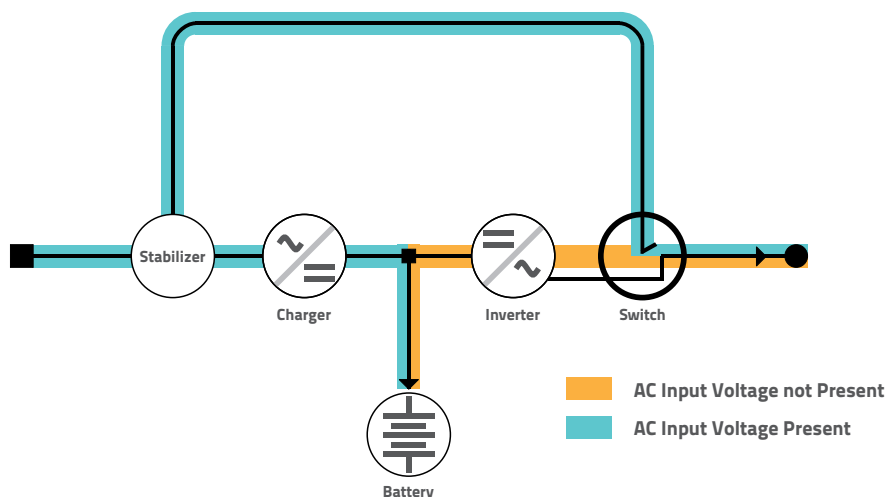


# Uninterruptible Power Supply



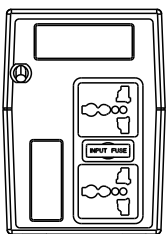
- Line Interactive UPS with Simulated Sinewave Output
- Excellent Microprocessor Control
- Boost and Buck AVR for Voltage Stabilization
- Auto Charging at Off-mode
- Fastest Charging Capacity
- Compact Size and Lightweight
- Built-in Sealed Lead Acid Battery
- LCD Panel and Audible Indicators
- High Efficiency
- High Reliability
- Wide Input Voltage
- Overload Protection



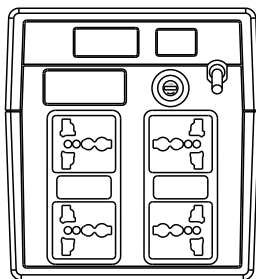
Protect your computer and sensitive equipments from any electrical disturbance.

ITEM		UNITS	SPECIFICATION		REMARKS
MODEL			CE600D	CE1200D	
CAPACITY		VA/W	600 / 300	1200 / 600	MAXIMUM
AC INPUT	VOLTAGE	V	140 ~ 300		
	CURRENT	A	1.6	2.9	MAX. LOAD & CHARGER
	FREQUENCY	Hz	50 ± 10%		
	PROTECTION	A	3	6	FUSE
DC INPUT	INTERNAL BATTERY		1 x 12V, 7.2AH	2 x 12V, 7.2AH	SEALED LEAD ACID BATTERY
INVERTER OUTPUT	WAVE FORM		SYNTHESIZED SINEWAVE (STEP WAVE)		PWM
	VOLTAGE	V	230 ± 10%		
	FREQUENCY	Hz	50 ± 1		
CHG	TYPE		CONSTANT VOLTAGE		
	VOLTAGE	V	13.5	27.0	
	CURRENT	A	1.4		
TRANSFER TIME		ms	2 ~ 10		
BACK UP TIME		min	7 ~ 20		DEPENDING ON LOAD
INDICATOR			LCD & BUZZER		REFER TO TABLE OF STATUS INDICATOR
OPERATION TEMPERATURE		°C	0 ~ 40		
DIMENSION		mm	298 x 101 x 142	353 x 150 x 162	D x W x H
WEIGHT		Kg	4.5	8	NETTO
			5	8.5	GROSS

SPECIFICATIONS ARE SUBJECT TO CHANGE WITHOUT PRIOR NOTICE.



REAR PANEL  
UPS CE600D



REAR PANEL  
UPS CE1200D

**Contact Person**



481-41B0020-110